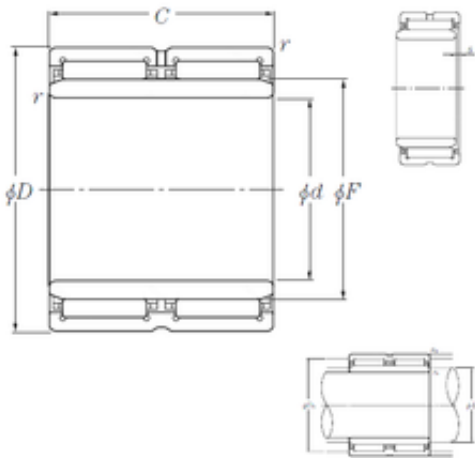




Shanghai Ruonan-Power Co., Ltd.



50 mm x 72 mm x 40 mm NTN NA6910R needle roller bearings

Bearing No. NA6910R

NA6910R Bearing 2D drawings and 3D CAD models

Size	50x72x40 mm
Bore Diameter	50 mm
Outer Diameter	72 mm
Width	40 mm
d	50 mm
F	58 mm
D	72 mm
B	40 mm
C	40 mm
r min.	0,6 mm
s	0,5 mm
da min.	54 mm
Da max.	68 mm
ra max.	0,6 mm
Weight	0,529 Kg
Basic dynamic load rating (C)	74 kN
Basic static load rating (C0)	139 kN
(Grease) Lubrication Speed	4 700 r/min
rs min	0.6 mm
s max	0.5 mm
Dw	5 mm
Lw	14.8 mm
Lubrication hole on outer ring	Oui/Yes
k	3 mm



Shanghai Ruonan-Power Co., Ltd.

Lubrication hole on inner ring	Non/No
Radial clearance class	CN
Precision class	P0
Mass	0.53 kg
Cr	74 kN
C0r	139 kN
Nlim (grease)	4,700 rpm
Nlim (oil)	7,000 rpm
Min operating temperature, Tmin	-20 ° C
Max operating temperature, Tmax	120 ° C
Characteristic cage frequency, FTF	0.46 Hz
Characteristic rolling element frequency, BSF	12.52 Hz
Characteristic outer ring frequency, BPF0	11.97 Hz
Characteristic inner ring frequency, BPF1	14.03 Hz
da min	54 mm
Da max	68 mm
ras max	0.6 mm
Category	Roller Bearings
Inventory	0.0
Manufacturer Name	NTN
Minimum Buy Quantity	N/A
Weight / Kilogram	0.513
Product Group	B04144
bore diameter:	50 mm
maximum rpm:	7000 RPM
outside diameter:	72 mm
flanges:	No Flange



Shanghai Ruonan-Power Co., Ltd.

overall width:	40 mm
series:	NA69
needle bearing type:	Machined Bearing with Inner Ring
lubrication hole type:	No Hole
closure type:	Open
precision rating:	Not Rated
dynamic load capacity:	7500 kgf
standards met:	JIS B 1512
static load capacity:	14200 kgf